

Micro Optical Switch



Features

- Low Insertion Loss
- Wide Wavelength Range
- Low Crosstalk
- High Stability, High Reliability
- Epoxy-free on Optical Path
- Latching and Non-latching

Applications

- R&D in Laboratory
- System Monitoring
- OADM
- MAN (Metropolitan Area Network)
- Network Security and Monitoring

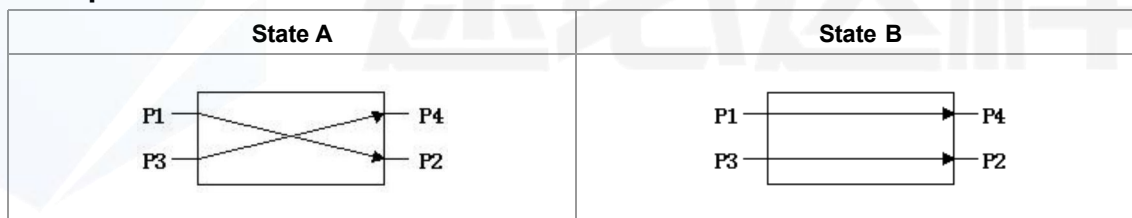
Specifications

Parameters	Unit	SUN-FSW-2×2FG
Wavelength Range	nm	800~1100
Test Wavelength	nm	980
Insertion Loss ^{1,2}	dB	≤ 1.5
Return Loss ^{1,2}	dB	≥ 30
Crosstalk ¹	dB	≥ 35
Repeatability	dB	≤ ±0.02
Operating Voltage	V	3.0 or 5.0
Durability	Cycles	≥ 10 Million
Switching Time	ms	≤ 5
Optical Power	mW	≤ 500
Operating Temperature	°C	-5~ +70
Storage Temperature	°C	-40 ~ +85
Relative Humidity	%	5 ~ 95
Weight	g	14
Dimension	mm	(L)27.0×(W)12.6×(H)8.2 ±0.2
<p>Note: ¹ Within room temperature and SOP. ² Excluding connectors.</p>		

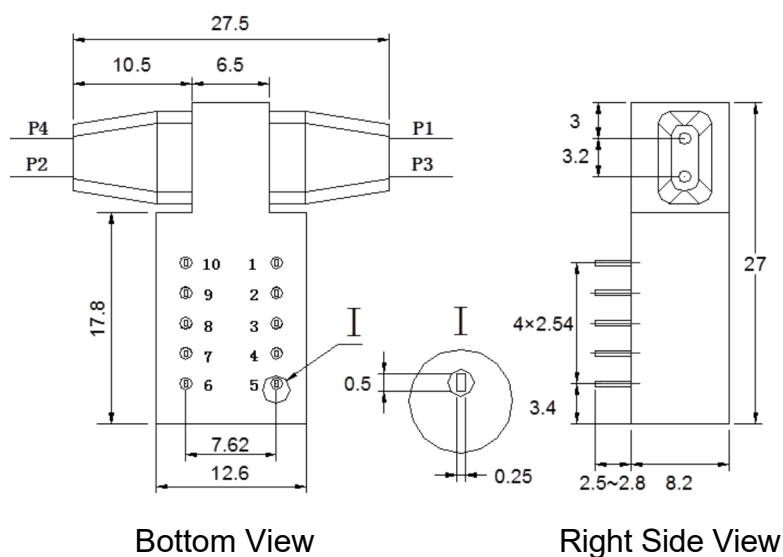
Pin Configurations

Type	State	Optical Route	Electric Drive				Status Sensor			
			Pin 1	Pin 5	Pin 6	Pin 10	Pin 2-3	Pin 3-4	Pin 7-8	Pin 8-9
Latching	A	P1-P2 P3-P4	--	--	GND	V+	Close	Open	Open	Close
	B	P1-P4 P3-P2	V+	GND	--	--	Open	Close	Close	Open
Non-latching	A	P1-P2 P3-P4	--	--	--	--	Close	Open	Open	Close
	B	P1-P4 P3-P2	V+	--	--	GND	Open	Close	Close	Open

Optical Route

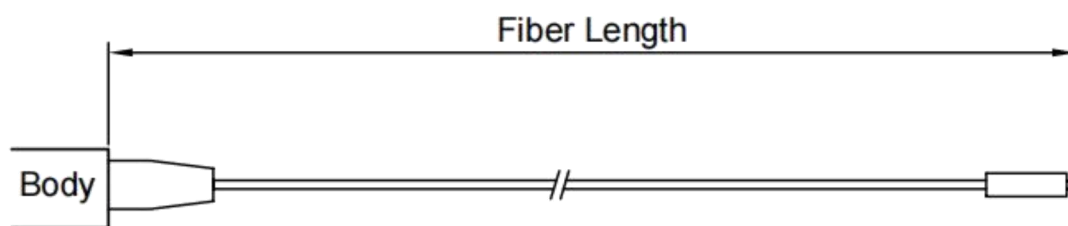


Dimension

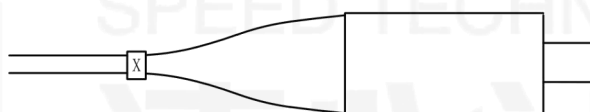


P1: White P2: Black P3: Red P4: Blue

Fiber Length Definition



Label Definition



X=P1、P2、P3、P4

Electrical Specifications

Specifications	Voltage	Current	Resistance
5V latching	4.5~5.5 V	36~44 mA	125 Ω
5V non-latching	4.5~5.5 V	26~32 mA	175 Ω
3V latching	2.7~3.3 V	54~66 mA	50 Ω
3V non-latching	2.7~3.3 V	39~47 mA	70 Ω

Ordering Information:

SUN-FSW-2×2FG-A-B-C-980-E-F-G

A	B	C	D	E	F	G
Fiber Type	Operating Voltage	Switch Type	Test Wavelength	Tube Type	Fiber Length (Include connector)	Connector
M5: MM,50/125 M6: MM,62.5/125 X: Others	3: 3V 5: 5V	L: Latching N: Non-latching	980: 980nm	25: 250um 90: 900um X: Others	05: 0.5m±5cm 10: 1.0m±5cm 15: 1.5m±5cm X: Others	OO: None FP: FC/PC FA: FC/APC SP: SC/PC SA: SC/APC STP: ST/PC LP: LC/PC LA: LC/APC DLP: Duplex LC/PC X: Others